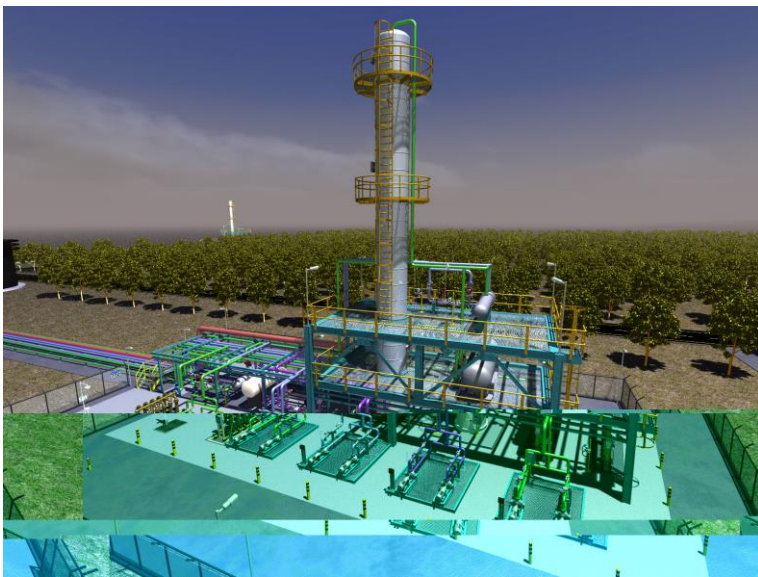


ChemE-Sports™

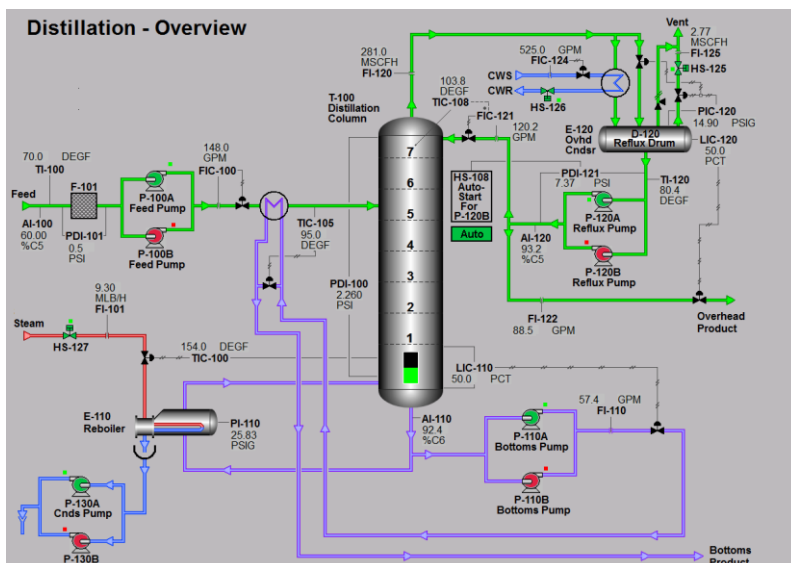
Distillation Operations

Competition:

A chemical engineering optimization and safety skills competition based on binary distillation combining *Virtual Reality*



and *Distributed Control Screen ChemE Action*



FALL 2020 AICHE ANNUAL MEETING AND STUDENT CONFERENCE

Sunday 15 November 2020
VIRTUAL Competition
(Link to be posted at AIChE website)

8:30am PST: Event kick-off
9:00am PST – 12:30pm PST:
ChemE-Sports™ Competition.

All competitors will compete in the first round exercises and then the top scoring teams will move forward in the bracket until one team is crowned the *ChemE-Sports™* Champion.

The call for ChemE Teams of 2-4 competitors is open now!

Sign up now at the email below!

matthew.garvey@petroskills.com

SPONSORS

PetroSkills – Simulation Solutions
and Dr. Robert G. Bozic LTC USA (Ret)

ASC20
AIChE Annual
Student Conference

PetroSkills®
Simulation Solutions, Inc.

to deliver the purest *ChemE-Sports™* competition on the Globe to date!